

PRODUCT SPECIFICATIONS

MODEL NO: TP—WL103A

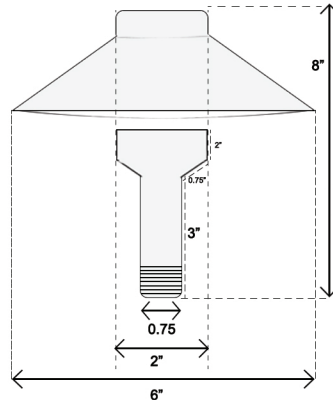
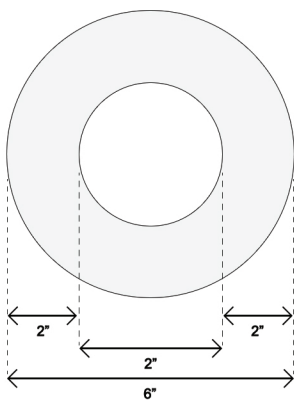
TRU—POST 103 LED DECK & FENCE POST LIGHT



Product Description

Add the LED Post Light WL103A to your fence gate, around your pool fence, or along the railing of your deck. Our lights require a 12V low voltage transformer for installation. The LED post light is designed with a heavy gauge fully powder-coated aluminum fixture, with a weathertight rubber gasket, and a glass jar enclosure to protect the bulb and socket area, all while providing 360° of light output. The light includes a 3' line wire and two silicone filled wire nuts that are rated for outdoor and direct burial use. The fixture is only available in black.

Product Dimensions



Features & Benefits

Construction: Powder coated aluminum and glass

Finish: Matte black

Light Source: G4 LED lamp

Hat Size: 6" Diameter

Color Temperature: 2700K (Traditional)

Wire: 36" 18/2 Low Voltage direct burial wire

Power Supply: 12V Low Voltage transformer (sold separately)

IP Rating: IP67 Rating

Performance Data

Item No.	Watts	Lumens	CCT	CRI
TP—WL103A	3W	300L	2700K	80+

Specifications

- 9v to 15v AC/DC voltage range
- 360° light spread
- Easily install for deck or fence posts
- Mounts to 2x2", 2.5 x 2.5", 4x4", 4.5x4.5", or Universal Wood & Deck Mount
- Color temperature: 2700K warm white on Tru-Post Deck or Fence Post Light
- 36" 18/2 Low Voltage direct burial wire lead

Certifications

- IP67 Rated
- ETL Listed