

PRODUCT SPECIFICATIONS



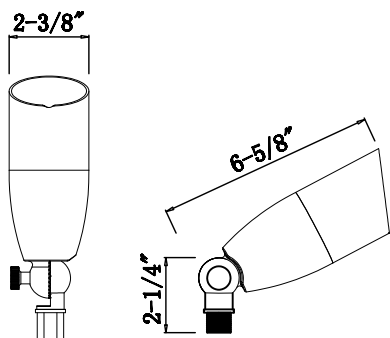
Low Voltage Landscape Lighting Accent Light - B102 Series

Product Description

The B102 Accent Light is constructed from heavy-duty solid die-cast brass and have a double "O" ring seal to prevent water from entering the fixture. The fixture is built with a beryllium copper socket housing, an MR16 LED lamp, heat resistant glass, a drainage notch on the shield, thumb nut on knuckle for easy adjustment, a locknut, and a heavy-duty ground stake. This fixture is used to highlight focal point plants, trees, or to light up a wall, statue or fountain. Twist and pull off the shield to easily install or change MR16 LED lamp by hand.



Product Dimension



Specifications

- Construction: Solid Die Cast Brass
- Finish: Black Powder Coat or Antique Brushed Bronze.
- Lead Wire: 36" (Standard) 18AWG, SPT-1W black waterproof wire.
- Mounting: 8" Heavy-duty Stake with cut out for wire.
- Glass or Lens: Clear Flat Lens.
- Light Source (included): MR16 4W 40 degree 2700K 250 lumen LED Lamp.
- Maximum Lamp Rating: 35W
- Recommended Lamp Rating: 20-35W
- Operating Voltage: 12V AC
- Shipping Weight: 2.19 lbs
- Powered By: Low Voltage Transformer (Sold Separately)

Features & Benefits

- Heavy-Duty Solid Die Cast Brass Construction
- Powder Coat or Bronzing Finish – Protects fixture from weather and corrosion.
- Beryllium Copper Socket – More corrosion resistant than copper.
- Water Tight Double "O" Ring – Keeps water from entering housing.
- Heat Resistant Flat Glass Lens and Drainage Notch – Keeps water from pooling on the face of the lens.
- Comes with (2) Silicone Filled Wire Connectors - Rated for direct burial and outdoor use.

Certifications



Warranty

- Tru-Scapes Lighting Sockets have a Lifetime Warranty.
- Light fixtures of brass, copper or stainless steel, including finishes are warranted for five (5) years.
- LED Bulbs are warranted for five (5) years or 30,000 hours, whichever comes first.
- Stainless Steel, Painted and Weatherproof (plastic housing) transformers, excluding timers and photo cells, are warranted for five (5) years for the original purchaser.
- Tru-Scapes warranties do not cover plants that die or burn because of continuous light shined on them. This is not a defect, but the inherent nature of such plants. Certain acid-loving plants such as arborvitae, pine trees, and others must not be exposed to light of any kind for more than 18 hours a day as these plants need time to sleep and allow photosynthesis to naturally occur.
- Low voltage landscape lighting fixture housings made of brass do naturally patina in color which is not a defect. (Please see www.Tru-Scapes.com for cleaning instructions.)
- See our full Warranty details at www.Tru-Scapes.com/faq.