

PRODUCT SPECIFICATIONS



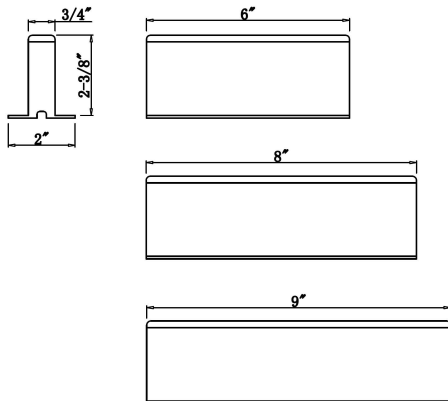
Low Voltage Landscape Lighting LED Paver Light - HPL Series

Product Description

The HPL Series LED Paver Lights are constructed from a powder coated aluminum fixture housing, frosted Acrylic Lens, and Integrated CREE LED's for superior longevity and durability. This fixture is great for adding a warm white glow to your outdoor living area. The HPL Paver Lights are most commonly used in these applications; patio, driveway, walkway soldier and sailor course. The fixture comes with a 72" wire lead and 2 silicone filled wire connectors that are rated for direct burial and outdoor use. Light up your Outdoor Living Area with the HPL Series LED Paver Lights.



Product Dimension



Features & Benefits

- Aluminum Construction with Frosted Acrylic Lens
- Powder Coated Finish – Protects fixture from wear and corrosion.
- Available Sizes: 6", 8", and 9"
- Integrated CREE Led's
- Color Rendering Index (CRI): 80+
- Comes with (2) Silicone Filled Wire Connectors - Rated for direct burial and outdoor use.

Certifications



Specifications

- Construction: Powder Coated Aluminum & Frosted Lens
- Sizes Available: 6", 8", and 9"
- Lead Wire: 72" (Standard) 18AWG, SPT-1W Black Waterproof Wire.
- Light Source: Integrated CREE LED's, 2700K, 6" 1.5W 180LM, 8" 1.8W 220LM, 9" 2.5W 290LM.
- Light Beam Spread: 120°
- Maximum Lamp Rating: 10W
- Recommended Lamp Rating: 1.5W - 2.5W
- Operating Voltage: 9V - 14V AC/DC
- Powered By: Low Voltage Transformer (Sold Separately)
- IP68 Rated
- Burial Mounting

Warranty

- Tru-Scapes Lighting Sockets have a Lifetime Warranty.
- Light fixtures of brass, copper or stainless steel, aluminum, including finishes are warranted for five (5) years.
- LED Bulbs are warranted for five (5) years or 30,000 hours, whichever comes first.
- Stainless Steel, Painted and Weatherproof (plastic housing) transformers, excluding timers and photo cells, are warranted for five (5) years for the original purchaser.
- Tru-Scapes warranties do not cover plants that die or burn because of continuous light shined on them. This is not a defect, but the inherent nature of such plants. Certain acid-loving plants such as arborvitae, pine trees, and others must not be exposed to light of any kind for more than 18 hours a day as these plants need time to sleep and allow photosynthesis to naturally occur.
- Low voltage landscape lighting fixture housings made of brass do naturally patina in color which is not a defect. (Please see www.Tru-Scapes.com for cleaning instructions.)
- See our full Warranty details at www.Tru-Scapes.com/faq.