

PRODUCT SPECIFICATIONS



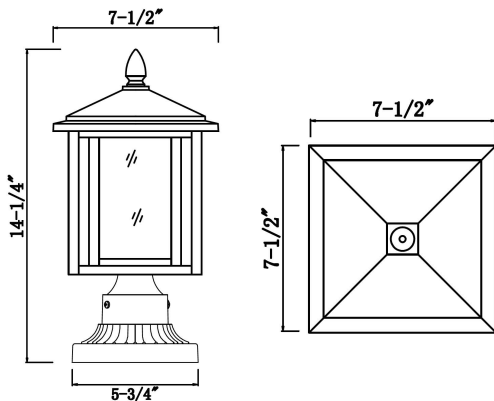
Low Voltage Landscape Lighting LED Pillar Light - PL101 Series



Product Description

The PL101 Modern Pillar Light is constructed from a Antique Bronze powder coated aluminum fixture housing, frosted protective glass, and replaceable G4 LED Lamp for superior longevity and durability. This fixture is great for adding a warm white glow to your outdoor living area. The PL101 is most commonly used in these applications; patio columns, driveway pillars, and property wall columns. The fixture comes with a 36" wire lead, an installation anchor kit, and 2 silicone filled wire connectors that are rated for direct burial and outdoor use. Light up your Outdoor Living Area with the PL101 Modern Pillar Lights.

Product Dimension



Specifications

- Construction: Powder Coated Aluminum & Frosted Glass
- Finishes: Antique Brushed Bronze
- Lead Wire: 36" (Standard) 18AWG, SPT-1W Black Waterproof Wire.
- Light Source: (Included) G4 LED Lamp, 2700K, 3W, 300LM.
- Light Beam Spread: 360°
- Maximum Lamp Rating: 20W
- Recommended Lamp Rating: 3W
- Operating Voltage: 9 - 14V AC/DC
- Shipping Weight: 8.10 lbs
- Dimensions: 14.3" x 7.5" x 7.5"
- Powered By: Low Voltage Transformer (Sold Separately)
- IP65 Rated

Features & Benefits

- Aluminum Construction with Frosted Protective Glass
- Powder Coated Finish – Protects fixture from wear and corrosion.
- Available in a Antique Brushed Bronze Finish.
- Replaceable G4 LED Lamp
- Beryllium Copper Socket – More corrosion resistant than copper.
- Comes with (2) Silicone Filled Wire Connectors - Rated for direct burial and outdoor use and Installation Anchor Kit with Masonry Drill Bit.

Certifications



Warranty

- Tru-Scapes Lighting Sockets have a Lifetime Warranty.
- Light fixtures of brass, copper or stainless steel, aluminum, including finishes are warranted for five (5) years.
- LED Bulbs are warranted for five (5) years or 30,000 hours, whichever comes first.
- Stainless Steel, Painted and Weatherproof (plastic housing) transformers, excluding timers and photo cells, are warranted for five (5) years for the original purchaser.
- Tru-Scapes warranties do not cover plants that die or burn because of continuous light shined on them. This is not a defect, but the inherent nature of such plants. Certain acid-loving plants such as arborvitae, pine trees, and others must not be exposed to light of any kind for more than 18 hours a day as these plants need time to sleep and allow photosynthesis to naturally occur.
- Low voltage landscape lighting fixture housings made of brass do naturally patina in color which is not a defect. (Please see www.Tru-Scapes.com for cleaning instructions.)
- See our full Warranty details at www.Tru-Scapes.com/faq.