

TP-WL103A

DATA SPECIFICATION SHEET



CATEGORY: DECK

COLORS: ●

PRODUCT OVERVIEW

Tru-Post® 103 LED Deck & Fence Post Light

Illuminate your fence gate, pool fence, or deck railing with the LED Post Light WL103A. Designed for a 12V low voltage transformer, it features a heavy gauge, fully powder-coated aluminum fixture, a weathertight rubber gasket, and a glass jar enclosure for 360° light output. Includes a 3' line wire and two silicone-filled wire nuts suitable for outdoor use. Available only in Black. Enhance your home's ambiance with Tru-Scapes Deck Lighting!



Check Out More Images!
Scan to Visit Our Website!

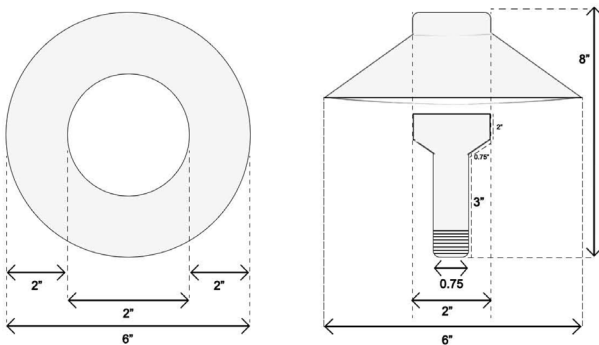
SPECIFICATIONS

- Construction: Powder Coated Aluminum and Glass
- Fixture Finish: Matte Black
- Hat Size: 6" Diameter
- Light Source: G4 LED Lamp
- Watts: 3W
- Lumens: 300
- Power factor: 0.75
- Beam Angle: 360
- Color Temp (CCT): 2700K
- Voltage Range: 9v – 15v AC/DC
- Power Supply: 12V Low Voltage Transformer (Sold Separately)
- Dimensions: 6" x 6" x 8"
- IP68 Rated

FEATURES & BENEFITS

- Aluminum Construction
- Powder Coated Finish – Protects fixture from wear and corrosion.
- Available in one finish: Black
- Wire: 36" 18/2 Low Voltage direct burial wire
- CRI: 80+
- Low energy consumption – Low Voltage LED Design.
- Lifespan of 30,000 Hours
- 300 Lumen of Light Output.
- Comes with (2) Silicone Filled Wire Connectors – Rated for direct burial and outdoor use.

PRODUCT DIMENSIONS



WARRANTY

- Tru-Scapes Lighting Sockets have a Lifetime Warranty.
- Light fixtures of brass, copper or stainless steel, aluminum, including finishes are warranted for five (5) years.
- LED Bulbs are warranted for five (5) years or 30,000 hours, whichever comes first.
- Stainless Steel, Painted and Weatherproof (plastic housing) transformers, excluding timers and photo cells, are warranted for five (5) years for the original purchaser.
- Tru-Scapes warranties do not cover plants that die or burn because of continuous light shined on them. This is not a defect, but the inherent nature of such plants. Certain acid loving plants such as arborvitae, pine trees, and others must not be exposed to light of any kind for more than 18 hours a day as these plants need time to sleep and allow photosynthesis to naturally occur.
- Low voltage landscape lighting fixture housings made of brass do naturally patina in color which is not a defect. (Please see www.Tru-Scapes.com for cleaning instructions.)
- See our full Warranty details at www.Tru-Scapes.com/faq.

CERTIFICATIONS



Indicates the product meets safety standards tested by Intertek.



Signifies the product has passed safety tests by Underwriters Laboratories.



Ensures the product is dust-tight and highly water-resistant.

CONTACT US

© Copyright 2024,
Tru-Scapes® Registered Trademark.
Bucks County, PA • All Rights Reserved.
contacts@tru-scapes.com
1-800-878-1240

WWW.TRU-SCAPES.COM