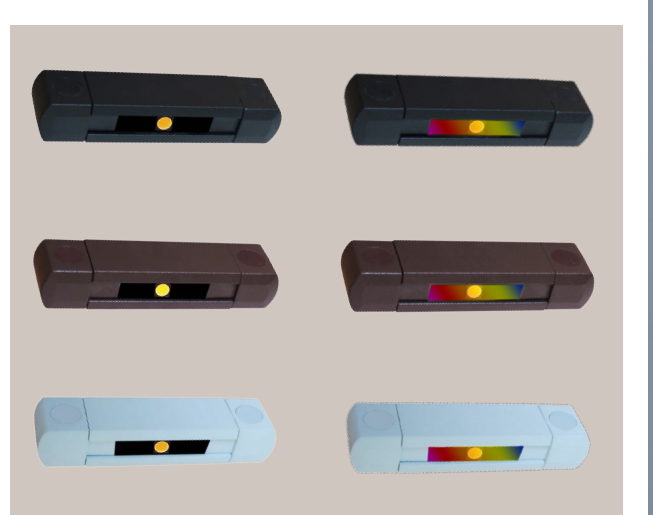


# TS-A501-SERIES

## DATA SPECIFICATION SHEET



CATEGORY: DECK

COLORS: ● ● ○

## PRODUCT OVERVIEW

### 3" LED Step Riser Light - TS-A501 Series

Our professional-grade A501 and A501C 3" recessed LED low voltage step riser lights are easy to install and designed to fit under a 3/4" tread overhang. These lights are the perfect addition for illuminating deck steps and enhancing safety and aesthetics. Both models are available in black, brown, and white.

- TS-A501: 2700K warm white
- TS-A501C: RGBCW color-changing



Check Out All Of Our Step Riser Lights! Scan to Visit Our Website!

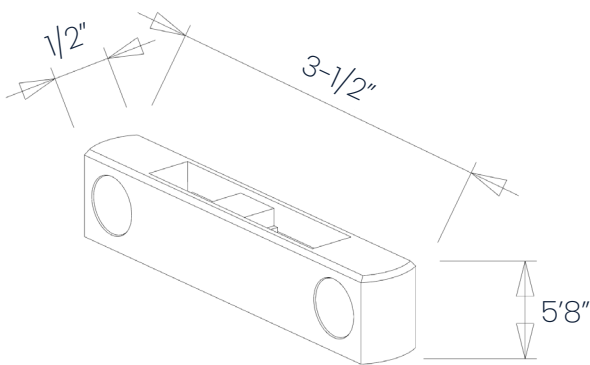
## SPECIFICATIONS

- Construction: Powder Coated Aluminum
- Finish: Black, Brown and White
- Light Source: Integrated LEDs
- Beam Angle: 180
- - TS-A501: 0.5W, 0.574 PF, 16 Lumens
- - TS-A501C: 1W, 0.639 PF, 16 Lumens
- Color Temp (CCT):
  - TS-A501: 2700K
  - TS-A501C: RGBCW (2700K - 6500K)
- Voltage Range: 9v - 15v AC/DC
- Powered By: 12V Low Voltage Transformer (Sold Separately)
- Dimensions: 3.5" w x 5/8" h x 1/2" d
- IP65 Rated

## FEATURES & BENEFITS

- Designed for easy installation under stair treads, making them an accessible upgrade to your outdoor space.
- Made from powder-coated aluminum, offering longevity and resistance to outdoor elements.
- A501C: Color-Changing LED Lighting: Offers customizable color settings to match your outdoor ambiance.
- A501C: Remote-Control Operation: Easily change colors, brightness, and lighting effects with our remote control app.
- Low energy consumption - Low Voltage LED Design.
- Easy Installation: Comes with a simple plug-and-play wiring system for hassle-free setup.

## PRODUCT DIMENSIONS



## WARRANTY

- Tru-Scapes Lighting Sockets have a Lifetime Warranty.
- Light fixtures of brass, copper or stainless steel, aluminum, including finishes are warranted for five (5) years.
- LED Bulbs are warranted for five (5) years or 30,000 hours, whichever comes first.
- Stainless Steel, Painted and Weatherproof (plastic housing) transformers, excluding timers and photo cells, are warranted for five (5) years for the original purchaser.
- Tru-Scapes warranties do not cover plants that die or burn because of continuous light shined on them. This is not a defect, but the inherent nature of such plants. Certain acid loving plants such as arborvitae, pine trees, and others must not be exposed to light of any kind for more than 18 hours a day as these plants need time to sleep and allow photosynthesis to naturally occur.
- Low voltage landscape lighting fixture housings made of brass do naturally patina in color which is not a defect. (Please see [www.Tru-Scapes.com](http://www.Tru-Scapes.com) for cleaning instructions.)
- See our full Warranty details at [www.Tru-Scapes.com/faq](http://www.Tru-Scapes.com/faq).

## CERTIFICATIONS



Indicates the product meets safety standards tested by Intertek.



Signifies the product has passed safety tests by Underwriters Laboratories.



Ensures the product is dust-tight and highly water-resistant.

## CONTACT US

© Copyright 2024,  
Tru-Scapes® Registered Trademark •  
Bucks County, PA • All Rights Reserved •  
[contacts@tru-scapes.com](mailto:contacts@tru-scapes.com)  
1-800-878-1240

[WWW.TRU-SCAPES.COM](http://WWW.TRU-SCAPES.COM)

