

# B102 SERIES

## DATA SPECIFICATION SHEET



CATEGORY: LANDSCAPE

COLORS: ● ●

## PRODUCT OVERVIEW

### Traditional Accent Light - B102 Series

Known as "The Workhorse of The Industry," the B102 LED low voltage accent light is made from heavy-duty die-cast brass with a double "O" ring seal to keep water out. It features a beryllium copper socket, MR16 LED lamp, heat-resistant glass, drainage notch, adjustable thumb nut, locknut, and 8" ground stake. Ideal for highlighting plants, trees, walls, statues, or fountains, the shield easily twists off for tool-free lamp installation or replacement.



Check Out All Available Colors!  
Scan to Visit Our Website!

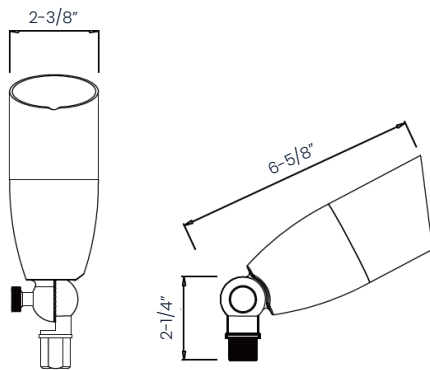
## SPECIFICATIONS

- Construction: Sloid Die Cast Brass
- Finishes: Black Powder Coat or Antique Brushed Bronze
- Lead Wire: 36" (Standard) 18AWG, SPT-1W Black Waterproof Wire.
- Mounting: 8" Heavy Duty Stake with cut out for wire exit
- Light Source (included): MR16 4W 2700K 382 Lumen LED Lamp.
- Glass or Lens: Clear Protective Glass Enclosure.
- Power Factor: 0.732
- Recommended Lamp Rating: 4W
- Operating Voltage: 12V AC
- Beam Angle: 40
- Powered By: Low Voltage Transformer (Sold Separately)

## FEATURES & BENEFITS

- Heavy Duty Solid Die Cast Brass Construction
- Powder Coated Finishes – Protects fixture from wear and corrosion.
- Available in 2 different finishes, Black Powder Coat or Antique Brushed Bronze
- Beryllium Copper Socket Housing – More corrosion resistant than copper.
- Easily replaceable lamp
- Low energy consumption – Low Voltage LED Design.
- Water Tight Double “O” Ring – Keeps water from entering housing.
- 382 Lumen of Light Output.
- Comes with (2) Silicone Filled Wire Connectors – Rated for direct burial and outdoor use.

## PRODUCT DIMENSIONS



## WARRANTY

- Tru-Scapes Lighting Sockets have a Lifetime Warranty.
- Light fixtures of brass, copper or stainless steel, aluminum, including finishes are warranted for five (5) years.
- LED Bulbs are warranted for five (5) years or 30,000 hours, whichever comes first.
- Stainless Steel, Painted and Weatherproof (plastic housing) transformers, excluding timers and photo cells, are warranted for five (5) years for the original purchaser.
- Tru-Scapes warranties do not cover plants that die or burn because of continuous light shined on them. This is not a defect, but the inherent nature of such plants. Certain acid loving plants such as arborvitae, pine trees, and others must not be exposed to light of any kind for more than 18 hours a day as these plants need time to sleep and allow photosynthesis to naturally occur.
- Low voltage landscape lighting fixture housings made of brass do naturally patina in color which is not a defect. (Please see [www.Tru-Scapes.com](http://www.Tru-Scapes.com) for cleaning instructions.)
- See our full Warranty details at [www.Tru-Scapes.com/faq](http://www.Tru-Scapes.com/faq).

## CERTIFICATIONS



Indicates the product meets safety standards tested by Intertek.



Signifies the product has passed safety tests by Underwriters Laboratories.



Ensures the product is dust-tight and highly water-resistant.

## CONTACT US

© Copyright 2024,  
Tru-Scapes® Registered Trademark•  
Bucks County, PA • All Rights Reserved•  
[contacts@tru-scapes.com](mailto:contacts@tru-scapes.com)  
1-800-878-1240

[WWW.TRU-SCAPES.COM](http://WWW.TRU-SCAPES.COM)