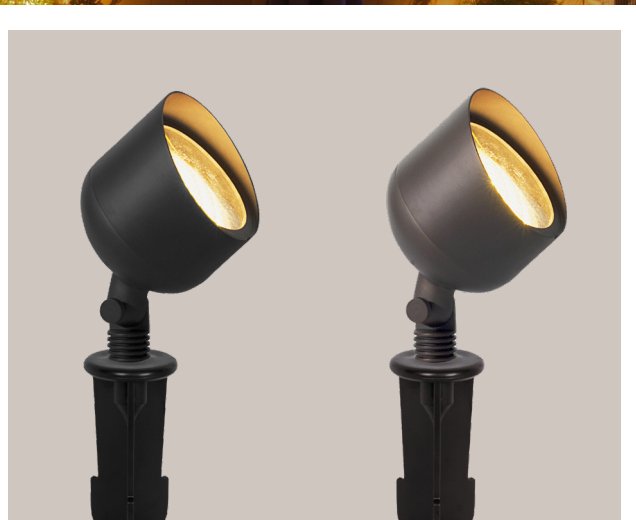


B106 SERIES

DATA SPECIFICATION SHEET



CATEGORY: LANDSCAPE

COLORS: ● ●

PRODUCT OVERVIEW

High Power Accent Light - B106 Series

The B106 LED low voltage accent light is built from heavy-duty die-cast brass with a gasket ring seal to prevent water entry. It features a beryllium copper socket, PAR36 LED lamp, clear heat-resistant glass, drainage notch, adjustable thumb nut, locknut, and 8" ground stake. Ideal for illuminating roof peaks, flagpoles, and large trees over 30", the B106 with a PAR36 120° LED lamp offers a wider beam spread than our other accent lights.



Check Out All Available Colors!
Scan to Visit Our Website!

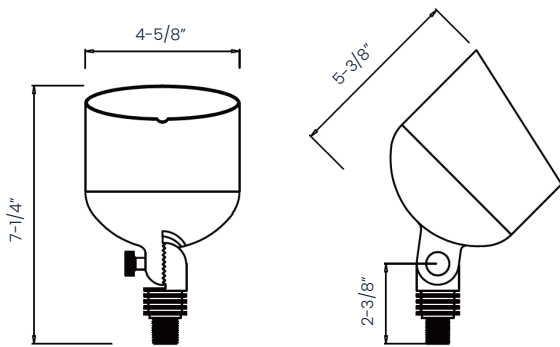
SPECIFICATIONS

- Construction: Heavy Duty Die Cast Brass
- Finishes: Black Powder Coat or Antique Brushed Bronze
- Lead Wire: 36" (Standard) 18AWG, SPT-1W Black Waterproof Wire.
- Mounting: 8" Heavy Duty Stake with cut out for wire exit
- Light Source (included): Par36 8W 2700K 435 Lumen LED Lamp.
- Glass or Lens: Clear Protective Glass Enclosure.
- Power Factor: 0.771
- Recommended Lamp Rating: 8W
- Operating Voltage: 12V AC
- Beam Angle: 120
- Powered By: Low Voltage Transformer (Sold Separately)

FEATURES & BENEFITS

- Heavy Duty Die Cast Brass Construction
- Powder Coated Finishes – Protects fixture from wear and corrosion.
- Available in 2 different finishes, Black Powder Coat or Antique Brushed Bronze
- Beryllium Copper Socket Housing – More corrosion resistant than copper.
- Easily replaceable lamp
- Low energy consumption - Low Voltage LED Design.
- Water Tight Gasket Ring – Keeps water from entering housing.
- 435 Lumen of Light Output.
- Comes with (2) Silicone Filled Wire Connectors – Rated for direct burial and outdoor use.

PRODUCT DIMENSIONS



WARRANTY

- Tru-Scapes Lighting Sockets have a Lifetime Warranty.
- Light fixtures of brass, copper or stainless steel, aluminum, including finishes are warranted for five (5) years.
- LED Bulbs are warranted for five (5) years or 30,000 hours, whichever comes first.
- Stainless Steel, Painted and Weatherproof (plastic housing) transformers, excluding timers and photo cells, are warranted for five (5) years for the original purchaser.
- Tru-Scapes warranties do not cover plants that die or burn because of continuous light shined on them. This is not a defect, but the inherent nature of such plants. Certain acid loving plants such as arborvitae, pine trees, and others must not be exposed to light of any kind for more than 18 hours a day as these plants need time to sleep and allow photosynthesis to naturally occur.
- Low voltage landscape lighting fixture housings made of brass do naturally patina in color which is not a defect. (Please see www.Tru-Scapes.com for cleaning instructions.)
- See our full Warranty details at www.Tru-Scapes.com/faq.

CERTIFICATIONS



Indicates the product meets safety standards tested by Intertek.



Signifies the product has passed safety tests by Underwriters Laboratories.



Ensures the product is dust-tight and highly water-resistant.

CONTACT US

© Copyright 2024,
Tru-Scapes ® Registered Trademark •
Bucks County, PA • All Rights Reserved •
contacts@tru-scapes.com
1-800-878-1240

WWW.TRU-SCAPES.COM