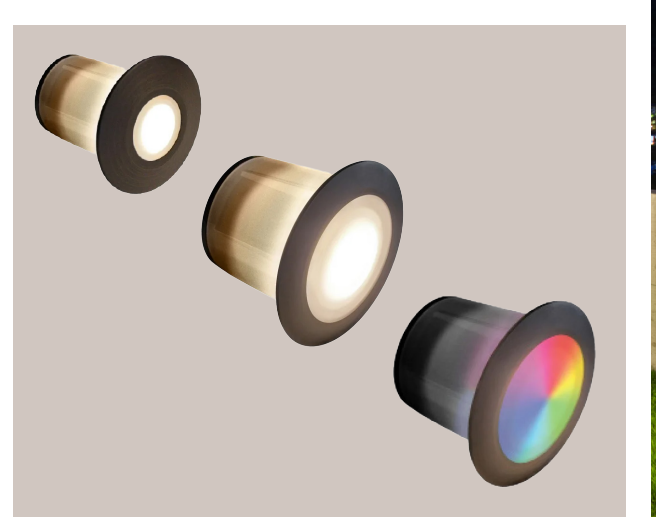


TS-DOT-BRZ SERIES

DATA SPECIFICATION SHEET



PRODUCT OVERVIEW

Bronze Dot Lights - TS-DOT-BRZ Series

Our in-ground Bronze series Low Voltage LED Dot Lights feature a sealed housing and frosted acrylic lens, ideal for installation in concrete, stone, wood, or decking. Available in:

- 1.5" Bronze Dot Light: Provides a traditional 2700K warm white light, easily installed with a 1" core drill bit.
- 2.5" Bronze Dot Light: Offers a traditional 2700K warm white light, requiring a 2" core drill bit for installation.
- 2.5" Bronze Dot Light with Color Changing: App-controlled for adjustable color temperature (warm to cool), RGB color output, dimming, and grouping of fixtures. It also installs with a 2" core drill bit.



View All Of Our Bronze Dot Lights!
Scan to Visit Our Website!

CATEGORY: HARDSCAPE

COLORS: ●

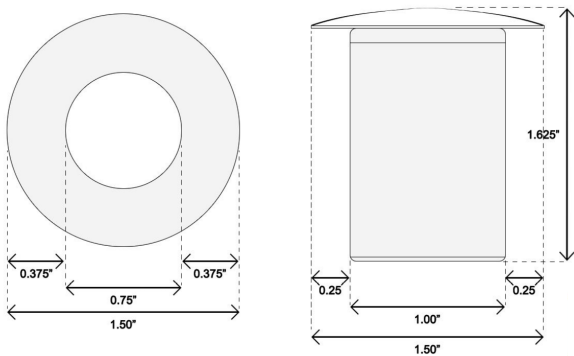
SPECIFICATIONS

- Construction: Composite housing with anodized bronze rings (1.5" or 2.5" OD)
- Finish: Bronze Powder Coating.
- Lens: Frosted Acrylic Lens
- Light Source:
 - 1.5": .25W, 0.607 PF, 10 Lumens
 - 2.5": 1.2W, 0.75 PF, 90 Lumens
 - 2.5" C: 1.5W, 0.75 PF, 60 Lumens
- Color Temperature:
 - 1.5" & 2.5": 2700k,
 - 2.5" C: 2700k - 6500k (RGB With App)
- Beam Angle: 60
- Operating Voltage: 9v - 15v AC/DC
- Lead Wire: 36" 18/2 Low Voltage direct burial wire
- Powered By: Low Voltage Transformer (Sold Separately)

FEATURES & BENEFITS

- Fully sealed composite housing with anodized bronze ring
- Easily install in concrete, stone, wood, or composite decking
- 1" or 2" drill bit for installation onto surface
- Low energy consumption - Low Voltage LED Design.
- 2w and 10 Lumen of Light Output.
- Dimensions:
 - 1.5" Fixture: 1.75" total height, inserts in 1" core drill hole
 - 2.5" Fixtures: 1.75" total height, inserts in 2" core drill hole
- Comes with (2) Silicone Filled Wire Connectors - Rated for direct burial and outdoor use.

PRODUCT DIMENSIONS



WARRANTY

- Tru-Scapes Lighting Sockets have a Lifetime Warranty.
- Light fixtures of brass, copper or stainless steel, aluminum, including finishes are warranted for five (5) years.
- LED Bulbs are warranted for five (5) years or 30,000 hours, whichever comes first.
- Stainless Steel, Painted and Weatherproof (plastic housing) transformers, excluding timers and photo cells, are warranted for five (5) years for the original purchaser.
- Tru-Scapes warranties do not cover plants that die or burn because of continuous light shined on them. This is not a defect, but the inherent nature of such plants. Certain acid loving plants such as arborvitae, pine trees, and others must not be exposed to light of any kind for more than 18 hours a day as these plants need time to sleep and allow photosynthesis to naturally occur.
- Low voltage landscape lighting fixture housings made of brass do naturally patina in color which is not a defect. (Please see www.Tru-Scapes.com for cleaning instructions.)
- See our full Warranty details at www.Tru-Scapes.com/faq.

CERTIFICATIONS



Indicates the product meets safety standards tested by Intertek.



Signifies the product has passed safety tests by Underwriters Laboratories.



Ensures the product is dust-tight and highly water-resistant.

CONTACT US

© Copyright 2024,
Tru-Scapes® Registered Trademark•
Bucks County, PA • All Rights Reserved•
contacts@tru-scapes.com
1-800-878-1240

WWW.TRU-SCAPES.COM