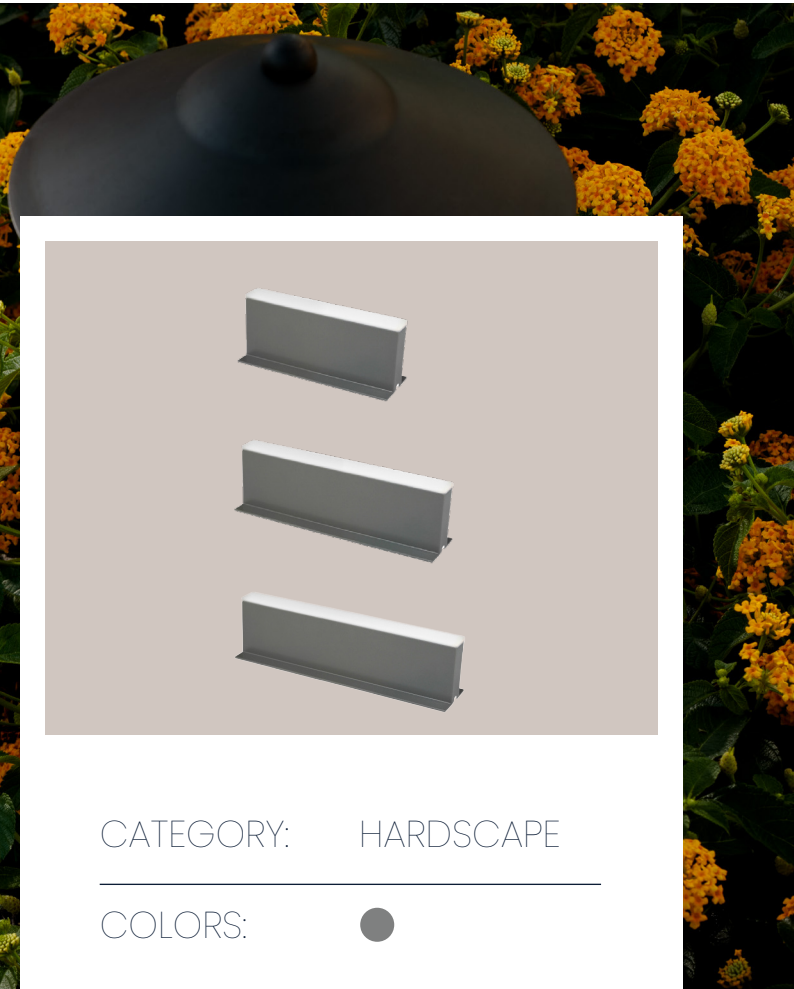


MHPL SERIES

DATA SPECIFICATION SHEET



CATEGORY: HARDSCAPE

COLORS: ●

PRODUCT OVERVIEW

Low Voltage Hardscape Lighting Paver Light - MHPL Series

Our professional-grade TS-MHPL Low Voltage LED Paver Lights are designed with an aluminum fixture and a frosted acrylic lens to protect the LEDs. They feature 15 integrated LEDs to highlight patio areas, walkways, and driveways. All 3 of our Paver Light models require a standard 60mm paver or smaller. Install these Paver Lights in the Sailor or Soldier course. Available in a sleek grey powder-coated finish.



Check Out All Available Sizes!
Scan to Visit Our Website!

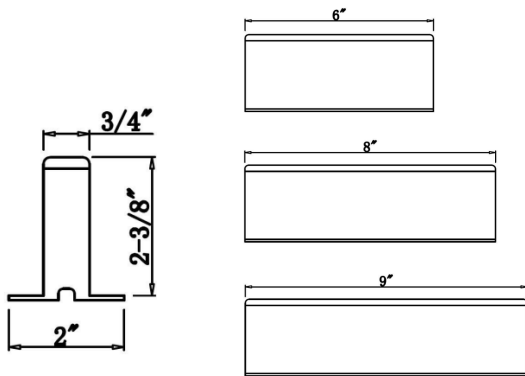
SPECIFICATIONS

- Construction: Powder Coated Aluminum & Frosted Lens
- Finish: Grey Powder Coated Finish – Protects fixture from wear and corrosion.
- 4000 Kelvin temperature
- Lead Wire: 36" (Standard) 18AWG, SPT-1W Black Waterproof Wire.
- Light Source: Integrated CREE LED's, 4000K, 6" 1.5W 42LM, 8" 1.8W 54LM, 9" 2.5W 72LM.
- Beam Angle: 120
- Power Factor: 0.75
- Recommended Lamp Rating: 1.5/1.8/2.5W
- Operating Voltage: 9V - 14V AC/DC
- Powered By: Low Voltage Transformer (Sold Separately)
- IP68 Rated

FEATURES & BENEFITS

- Available in 6", 8" and 9" Length to match popular Soldier or Sailor course edge pavers
- Powder Coat Finish – Protects fixture from wear and corrosion.
- Integrated CREE Led's
- Color Rendering Index (CRI): 80+
- Base feet to prevent lift from freeze/thaw
- 60 mm Height
- Low energy consumption - Low Voltage LED Design.
- Comes with (2) Silicone Filled Wire Connectors - Rated for direct burial and outdoor use.

PRODUCT DIMENSIONS



WARRANTY

- Tru-Scapes Lighting Sockets have a Lifetime Warranty.
- Light fixtures of brass, copper or stainless steel, aluminum, including finishes are warranted for five (5) years.
- LED Bulbs are warranted for five (5) years or 30,000 hours, whichever comes first.
- Stainless Steel, Painted and Weatherproof (plastic housing) transformers, excluding timers and photo cells, are warranted for five (5) years for the original purchaser.
- Tru-Scapes warranties do not cover plants that die or burn because of continuous light shined on them. This is not a defect, but the inherent nature of such plants. Certain acid loving plants such as arborvitae, pine trees, and others must not be exposed to light of any kind for more than 18 hours a day as these plants need time to sleep and allow photosynthesis to naturally occur.
- Low voltage landscape lighting fixture housings made of brass do naturally patina in color which is not a defect. (Please see www.Tru-Scapes.com for cleaning instructions.)
- See our full Warranty details at www.Tru-Scapes.com/faq.

CERTIFICATIONS



Indicates the product meets safety standards tested by Intertek.



Signifies the product has passed safety tests by Underwriters Laboratories.



Ensures the product is dust-tight and highly water-resistant.

CONTACT US

© Copyright 2024,
Tru-Scapes ® Registered Trademark •
Bucks County, PA • All Rights Reserved •
contacts@tru-scapes.com
1-800-878-1240

WWW.TRU-SCAPES.COM