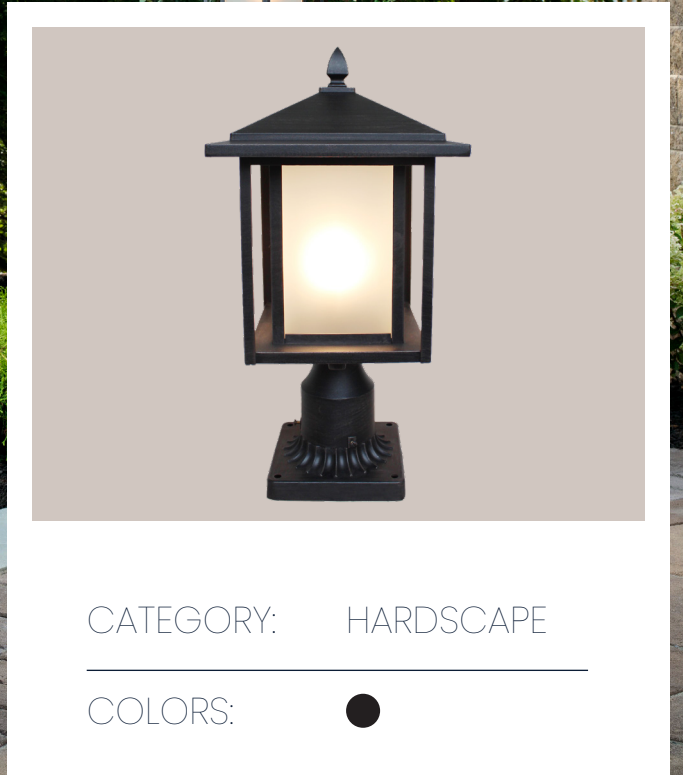


TS-PL101

DATA SPECIFICATION SHEET



CATEGORY: HARDSCAPE

COLORS: ●

PRODUCT OVERVIEW

Modern Pillar Light – TS-PL101

Our professional grade PL101 LED low voltage Pillar Light is the perfect finish piece for the top of all your columns. With the perfect blend of traditional and modern, this is an aluminum powder-coated fixture that comes with a 2700K warm light . Get a gorgeous modern light with a beautiful antique brushed bronze finish or matte black, which has a frosted heat-resistant glass encasement for a decorative, modern look. Use it to add a warm, welcoming glow to your outdoor living area.



Check Out All Of Our Pillar Lights!
Scan to Visit Our Website!

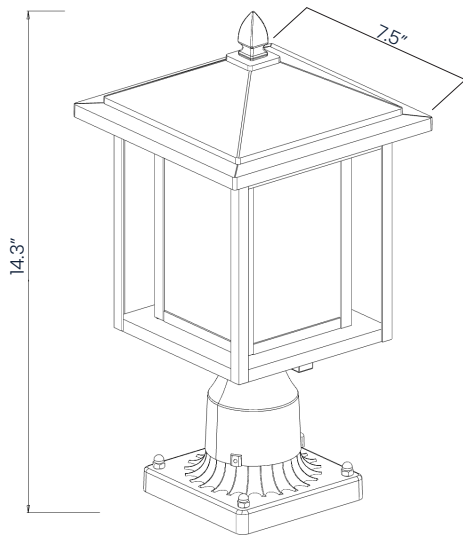
SPECIFICATIONS

- Construction: Powder Coated Aluminum and Frosted Tempered Glass
- Finish: Black Powder Coated Aluminum
- (Included) G4 LED Lamp, 2700K, 3W
- Beam Angle: 360
- Lumens: 180
- Maximum Lamp Rating: 20W
- Recommended Lamp Rating: 3W
- Voltage Range: 9v – 15v AC/DC
- Power Factor: 0.725
- Dimensions: 14.3" x 7.5" x 7.5"
- Lead Wire: 24" (Standard) 18AWG, SPT-1W Black Waterproof Wire.
- Powered By: Low Voltage Transformer (Sold Separately)

FEATURES & BENEFITS

- Powder Coat Finish – Protects fixture from wear and corrosion.
- Aluminum Construction with Frosted Protective Glass
- Replaceable G4 LED Lamp
- Masonary Drill Bit Included
- Beryllium Copper Socket – More corrosion resistant than copper.
- Comes with (2) Silicone Filled Wire Connectors – Rated for direct burial and outdoor use.

PRODUCT DIMENSIONS



WARRANTY

- Tru-Scapes Lighting Sockets have a Lifetime Warranty.
- Light fixtures of brass, copper or stainless steel, aluminum, including finishes are warranted for five (5) years.
- LED Bulbs are warranted for five (5) years or 30,000 hours, whichever comes first.
- Stainless Steel, Painted and Weatherproof (plastic housing) transformers, excluding timers and photo cells, are warranted for five (5) years for the original purchaser.
- Tru-Scapes warranties do not cover plants that die or burn because of continuous light shined on them. This is not a defect, but the inherent nature of such plants. Certain acid loving plants such as arborvitae, pine trees, and others must not be exposed to light of any kind for more than 18 hours a day as these plants need time to sleep and allow photosynthesis to naturally occur.
- Low voltage landscape lighting fixture housings made of brass do naturally patina in color which is not a defect. (Please see www.Tru-Scapes.com for cleaning instructions.)
- See our full Warranty details at www.Tru-Scapes.com/faq.

CERTIFICATIONS



Indicates the product meets safety standards tested by Intertek.



Signifies the product has passed safety tests by Underwriters Laboratories.



Ensures the product is dust-tight and highly water-resistant.

CONTACT US

© Copyright 2024,
Tru-Scapes® Registered Trademark•
Bucks County, PA • All Rights Reserved•
contacts@tru-scapes.com
1-800-878-1240

WWW.TRU-SCAPES.COM

