

# TS-PL102

## DATA SPECIFICATION SHEET



CATEGORY:      HARDSCAPE

COLORS:      ●

## PRODUCT OVERVIEW

### Noble Pillar Light - TS-PL102

Our professional grade PL102 LED low voltage Pillar Light is an aluminum powder-coated fixture. Get a gorgeous noble pillar light with a beautiful antique brushed bronze finish, which has a frosted heat-resistant glass encasement for a decorative, modern look. Use it to add a warm, welcoming glow to your outdoor living area. This pillar light comes with color changing technology right out of the box and is much larger and brighter than our other pillar lights.



Check Out All Of Our Pillar Lights!  
Scan to Visit Our Website!

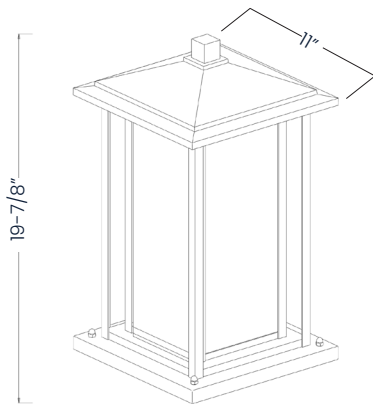
## SPECIFICATIONS

- Construction: Powder Coated Aluminum and Frosted Tempered Glass
- Finish: Antique Brushed Bronze
- Light Source: Replaceable Bluetooth RGBWW LED Module, Defaults to 2700K, 2200K to 6500K and RGB
- Lumens: 184
- Beam Angle: 360
- Watts: 6
- Power Factor: 0.778
- Recommended Lamp Rating: 6W
- Voltage Range: 9v – 15v AC/DC
- Dimensions: 19.9" x 11" x 11"
- Powered By: Low Voltage Transformer (Sold Separately)

## FEATURES & BENEFITS

- Powder Coat Finish – Protects fixture from wear and corrosion.
- Aluminum Construction with Frosted Protective Glass
- Replaceable RGBWW LED Module
- APP Controlled – Free APP Download Via Apple Appstore & GooglePlay Store.
- Control Lighting from Mobile Device or Tablet.
- Lead Wire: 24" (Standard) 18AWG, SPT-1W Black Waterproof Wire.
- Zone your Lights by Groups that you Specify (Front/Back Yard, Pool Area, Etc.)
- Comes with (2) Silicone Filled Wire Connectors – Rated for direct burial and outdoor use.

## PRODUCT DIMENSIONS



## WARRANTY

- Tru-Scapes Lighting Sockets have a Lifetime Warranty.
- Light fixtures of brass, copper or stainless steel, aluminum, including finishes are warranted for five (5) years.
- LED Bulbs are warranted for five (5) years or 30,000 hours, whichever comes first.
- Stainless Steel, Painted and Weatherproof (plastic housing) transformers, excluding timers and photo cells, are warranted for five (5) years for the original purchaser.
- Tru-Scapes warranties do not cover plants that die or burn because of continuous light shined on them. This is not a defect, but the inherent nature of such plants. Certain acid loving plants such as arborvitae, pine trees, and others must not be exposed to light of any kind for more than 18 hours a day as these plants need time to sleep and allow photosynthesis to naturally occur.
- Low voltage landscape lighting fixture housings made of brass do naturally patina in color which is not a defect. (Please see [www.Tru-Scapes.com](http://www.Tru-Scapes.com) for cleaning instructions.)
- See our full Warranty details at [www.Tru-Scapes.com/faq](http://www.Tru-Scapes.com/faq).

## CERTIFICATIONS



Indicates the product meets safety standards tested by Intertek.



Signifies the product has passed safety tests by Underwriters Laboratories.



Ensures the product is dust-tight and highly water-resistant.

## CONTACT US

© Copyright 2024,  
Tru-Scapes® Registered Trademark•  
Bucks County, PA • All Rights Reserved•  
[contacts@tru-scapes.com](mailto:contacts@tru-scapes.com)  
1-800-878-1240

[WWW.TRU-SCAPES.COM](http://WWW.TRU-SCAPES.COM)

