

TSS-AS300 SERIES

DATA SPECIFICATION SHEET



CATEGORY: STRUCTURE

COLORS: ● ●

PRODUCT OVERVIEW

Modern Sconce - TSS-AS300 Series

The Tru-Scapes Modern Sconce TSS-AS300 is a sleek, contemporary lighting solution designed to enhance the ambiance and style of any outdoor space. With its modern minimalist design, this sconce is available in both Black and Bronze finishes, making it an excellent fit for various architectural styles. Whether you're illuminating a patio, deck, or entryway, this sconce provides an elegant and efficient lighting solution.



Scan to Visit This Product On Our Website!

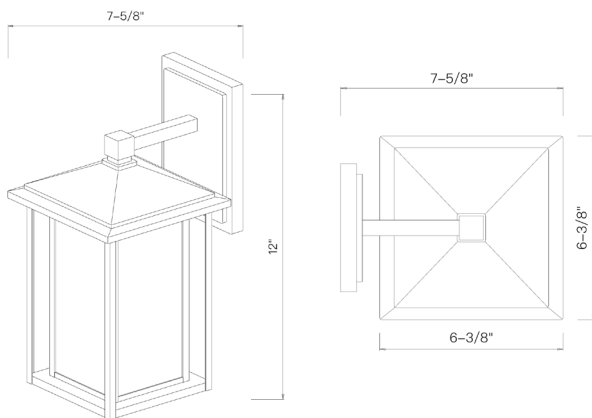
SPECIFICATIONS

- Construction: Powder Coated Aluminum And Tempered Glass
- Finish: Black or Bronze
- Light Source: Integrated LEDs
- Watts: 6W
- Beam Angle: 360
- Power Factor: 0.771
- Lumens: 300
- Color Temp: RGBCW (2700K - 6500K)
- Voltage Range: 9v - 15v AC/DC
- Powered By: 12V Low Voltage Transformer (Sold Separately)
- Dimensions: H 12" x W 6-3/8" x 7-5/8"
- IP65 Rated

FEATURES & BENEFITS

- High-Quality Aluminum Construction: Built with durability in mind, the TSS-AS300 is crafted from premium aluminum
- The sconce boasts a clean and sophisticated look that complements modern and traditional exteriors alike.
- The TSS-AS300 features energy-efficient LED technology, providing bright, even lighting while consuming minimal power.
- Remote-Control Operation: Easily change colors, brightness, and lighting effects with our remote control app.
- Low energy consumption - Low Voltage LED Design.
- Available in both Black and Bronze, the powder-coated finish provides superior protection against the elements

PRODUCT DIMENSIONS



WARRANTY

- Tru-Scapes Lighting Sockets have a Lifetime Warranty.
- Light fixtures of brass, copper or stainless steel, aluminum, including finishes are warranted for five (5) years.
- LED Bulbs are warranted for five (5) years or 30,000 hours, whichever comes first.
- Stainless Steel, Painted and Weatherproof (plastic housing) transformers, excluding timers and photo cells, are warranted for five (5) years for the original purchaser.
- Tru-Scapes warranties do not cover plants that die or burn because of continuous light shined on them. This is not a defect, but the inherent nature of such plants. Certain acid loving plants such as arborvitae, pine trees, and others must not be exposed to light of any kind for more than 18 hours a day as these plants need time to sleep and allow photosynthesis to naturally occur.
- Low voltage landscape lighting fixture housings made of brass do naturally patina in color which is not a defect. (Please see www.Tru-Scapes.com for cleaning instructions.)
- See our full Warranty details at www.Tru-Scapes.com/faq.

CERTIFICATIONS



Indicates the product meets safety standards tested by Intertek.



Signifies the product has passed safety tests by Underwriters Laboratories.



Ensures the product is dust-tight and highly water-resistant.



CONTACT US

© Copyright 2024,
Tru-Scapes® Registered Trademark•
Bucks County, PA • All Rights Reserved•
contacts@tru-scapes.com
1-800-878-1240

WWW.TRU-SCAPES.COM