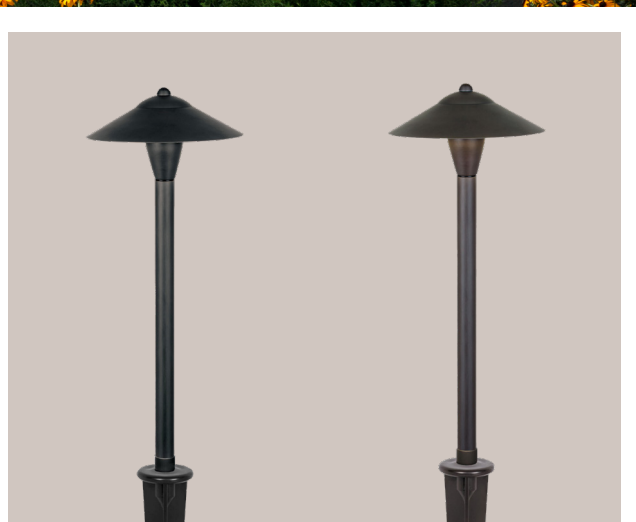


# B302 SERIES

## DATA SPECIFICATION SHEET



CATEGORY: LANDSCAPE

COLORS: ● ●

## PRODUCT OVERVIEW

### Classic Path Light – B302 Series

Our professional grade LED low voltage landscape path lights are a solid heavy-duty brass fixture used to highlight walkways, pathways, and themed areas. The hat size is 8" across and features a high hat style head with 360 degrees of light output, a 24" stem, and includes a heavy-duty ground stake. Our path lights are available in Black or Bronze color.



Check Out All Available Colors!  
Scan to Visit Our Website!

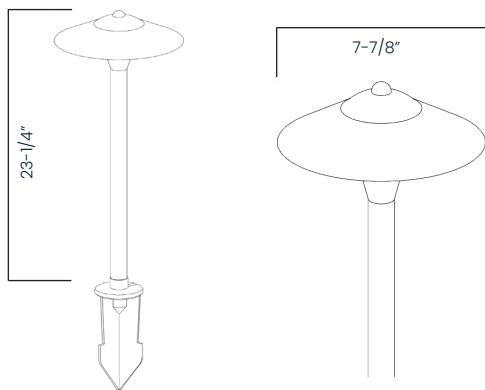
## SPECIFICATIONS

- Construction: Heavy Duty Solid Brass
- Finishes: Black Powder Coat or Antique Brushed Bronze
- Lead Wire: 40" (Standard) 18AWG, SPT-1W Black Waterproof Wire.
- Mounting: 8" Heavy Duty Stake with cut out for wire exit
- Light Source (included): G4 3W 2700K 158 Lumen LED Lamp.
- Glass or Lens: Clear Protective Glass Enclosure.
- Power Factor: 0.708
- Recommended Lamp Rating: 3W
- Operating Voltage: 12V AC
- Beam Angle: 360
- Powered By: Low Voltage Transformer (Sold Separately)

## FEATURES & BENEFITS

- Heavy Duty Solid Brass Construction with protective heat resistant glass enclosure.
- Powder Coated Finishes – Protects fixture from wear and corrosion.
- Available in 2 different finishes, Black Powder Coat or Antique Brushed Bronze
- Beryllium Copper Socket Housing – More corrosion resistant than copper.
- Easy replacement of the G4 LED Lamp.
- Low energy consumption - Low Voltage LED Design.
- Water Tight Gasket Ring – Keeps water from entering housing.
- 158 Lumen of Light Output.
- Comes with (2) Silicone Filled Wire Connectors - Rated for direct burial and outdoor use.

## PRODUCT DIMENSIONS



## WARRANTY

- Tru-Scapes Lighting Sockets have a Lifetime Warranty.
- Light fixtures of brass, copper or stainless steel, aluminum, including finishes are warranted for five (5) years.
- LED Bulbs are warranted for five (5) years or 30,000 hours, whichever comes first.
- Stainless Steel, Painted and Weatherproof (plastic housing) transformers, excluding timers and photo cells, are warranted for five (5) years for the original purchaser.
- Tru-Scapes warranties do not cover plants that die or burn because of continuous light shined on them. This is not a defect, but the inherent nature of such plants. Certain acid loving plants such as arborvitae, pine trees, and others must not be exposed to light of any kind for more than 18 hours a day as these plants need time to sleep and allow photosynthesis to naturally occur.
- Low voltage landscape lighting fixture housings made of brass do naturally patina in color which is not a defect. (Please see [www.Tru-Scapes.com](http://www.Tru-Scapes.com) for cleaning instructions.)
- See our full Warranty details at [www.Tru-Scapes.com/faq](http://www.Tru-Scapes.com/faq).

## CERTIFICATIONS



Indicates the product meets safety standards tested by Intertek.



Ensures the product is dust-tight and highly water-resistant.

## CONTACT US

© Copyright 2024,  
Tru-Scapes® Registered Trademark•  
Bucks County, PA • All Rights Reserved•  
[contacts@tru-scapes.com](mailto:contacts@tru-scapes.com)  
1-800-878-1240

[WWW.TRU-SCAPES.COM](http://WWW.TRU-SCAPES.COM)

