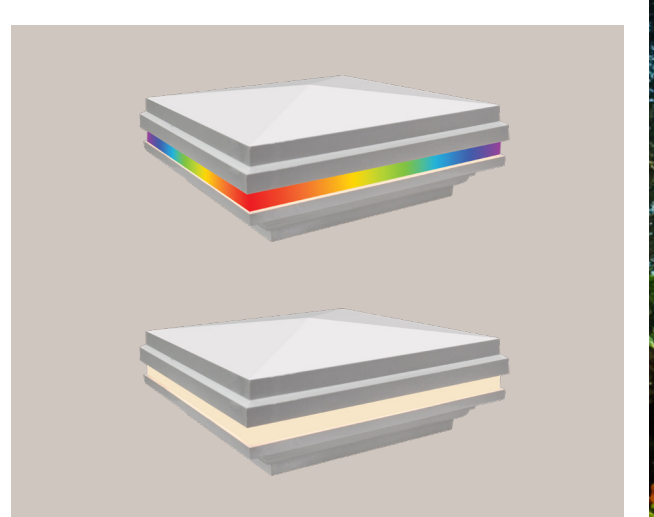


TS-C140 SERIES

DATA SPECIFICATION SHEET



CATEGORY: DECK

COLORS: ○

PRODUCT OVERVIEW

4" Vinyl LED Post Cap Light - TS-C140 Series

Our professional-grade 4" LED Post Cap Light is designed to fit standard 4" x 4" vinyl fence or deck posts. It features durable polyvinyl chloride (PVC) construction, full-lens integrated LEDs with a 3-watt power draw, RGBCW color temperature, and a voltage range of 9v to 15v AC/DC. It is compatible with low voltage wiring and transformers, making it an ideal addition to enhance your outdoor landscape lighting and living experience.



Check Out All Our Cap Lights!
Scan to Visit Our Website!

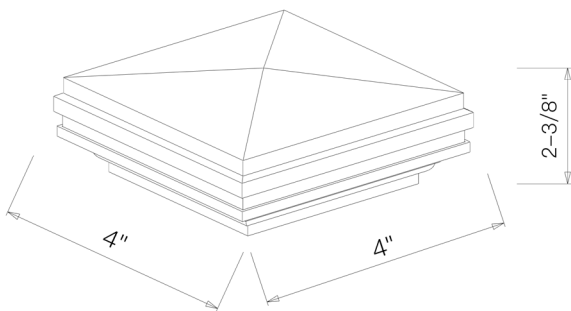
SPECIFICATIONS

- Construction: Polyvinyl Chloride (PVC)
- Finish: Available in white only
- Lead Wire: 32" 18AWG, SPT-1W black waterproof wire
- Beam Angle: 360
- - TS-C140: 3W, 0.732 PF, 32 Lumens
- - TS-C140C: 4W, 0.75 PF, 32 Lumens
- Color Temp (CCT):
 - TS-C140: 2700K
 - TS-C140C: RGBCW (2700K - 6500K)
- Voltage Range: 9v - 15v AC/DC
- Powered By: 12V Low Voltage Transformer (Sold Separately)
- IP65 Rated

FEATURES & BENEFITS

- Polyvinyl Chloride (PVC) Construction: Durable and weather-resistant for long-lasting outdoor use.
- Integrated LED Module: Replaceable, energy-efficient LEDs with a 3-watt power draw and 32 lumens of brightness.
- C140C: Offers a range of color temperatures from 2700K to 6500K, along with RGB for customizable lighting effects.
- Waterproof: IP65 rating ensures resistance to dust and water, suitable for outdoor environments.
- Lead Wire: Equipped with a 60" 18AWG SPT-1W waterproof wire for easy installation.
- Energy Efficiency: The 3-watt LED module offers bright lighting while keeping energy consumption low.

PRODUCT DIMENSIONS



WARRANTY

- Tru-Scapes Lighting Sockets have a Lifetime Warranty.
- Light fixtures of brass, copper or stainless steel, aluminum, including finishes are warranted for five (5) years.
- LED Bulbs are warranted for five (5) years or 30,000 hours, whichever comes first.
- Stainless Steel, Painted and Weatherproof (plastic housing) transformers, excluding timers and photo cells, are warranted for five (5) years for the original purchaser.
- Tru-Scapes warranties do not cover plants that die or burn because of continuous light shined on them. This is not a defect, but the inherent nature of such plants. Certain acid loving plants such as arborvitae, pine trees, and others must not be exposed to light of any kind for more than 18 hours a day as these plants need time to sleep and allow photosynthesis to naturally occur.
- Low voltage landscape lighting fixture housings made of brass do naturally patina in color which is not a defect. (Please see www.Tru-Scapes.com for cleaning instructions.)
- See our full Warranty details at www.Tru-Scapes.com/faq.

CERTIFICATIONS



Indicates the product meets safety standards tested by Intertek.



Ensures the product is dust-tight and highly water-resistant.

CONTACT US

© Copyright 2024,
Tru-Scapes® Registered Trademark•
Bucks County, PA • All Rights Reserved•
contacts@tru-scapes.com
1-800-878-1240

WWW.TRU-SCAPES.COM

