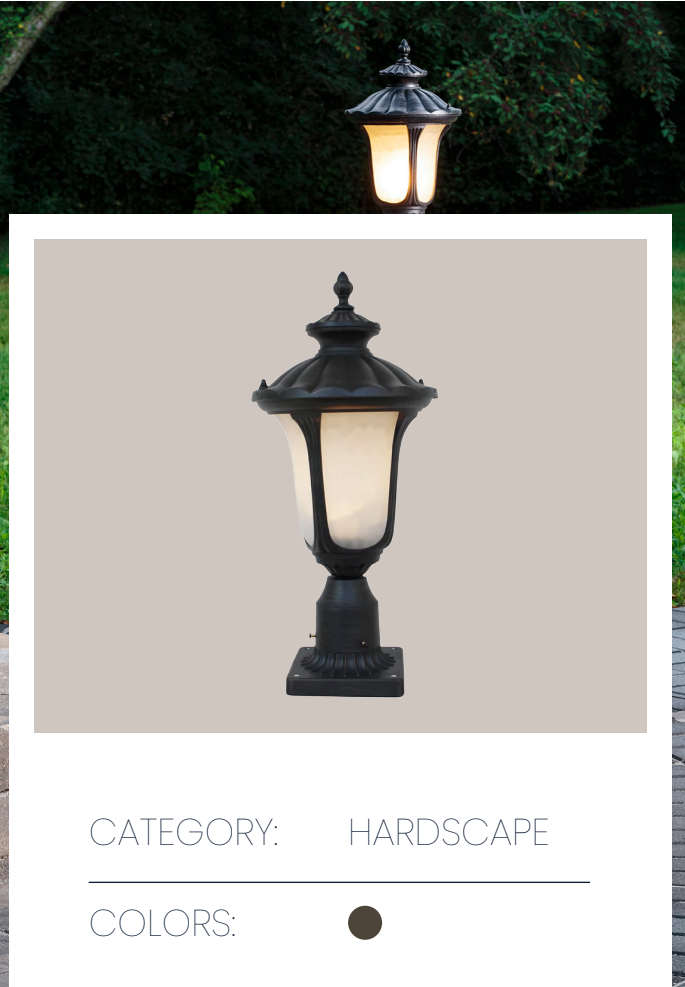


TS-PL100

DATA SPECIFICATION SHEET



CATEGORY: HARDSCAPE

COLORS: ●

PRODUCT OVERVIEW

Traditional Pillar Light - TS-PL100

Our professional grade PL100 LED low voltage Pillar Light is an aluminum powder-coated fixture. Get a gorgeous traditional pillar light with a beautiful antique brushed bronze finish, which has a frosted heat-resistant glass encasement for a decorative, traditional look. Use it to add a warm, welcoming glow to your outdoor living area.



Check Out All Of Our Pillar Lights!
Scan to Visit Our Website!

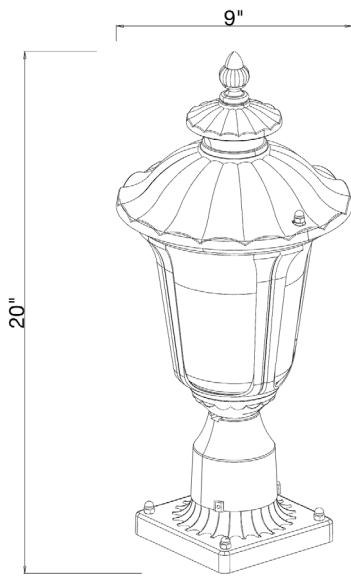
SPECIFICATIONS

- Construction: Powder Coated Aluminum and Frosted Tempered Glass
- Finish: Antique Brushed Bronze
- Color Temp (CCT): 2700K
- Light Source: G4 LED Lamp
- Watts: 3W
- Lumens: 195
- Voltage Range: 9v – 15v AC/DC
- Power Factor: 0.717
- Beam Angle: 360
- Mounting Plate: 5.5" x 5.5"
- Lead Wire: 24" (Standard) 18AWG, SPT-1W Black Waterproof Wire.
- Powered By: Low Voltage Transformer (Sold Separately)

FEATURES & BENEFITS

- Powder Coat Finish – Protects fixture from wear and corrosion.
- Easily Replaceable Bulb
- Anchor Kit Included
- Masonary Drill Bit Included
- Low energy consumption - Low Voltage LED Design.
- Comes with (2) Silicone Filled Wire Connectors – Rated for direct burial and outdoor use.

PRODUCT DIMENSIONS



WARRANTY

- Tru-Scapes Lighting Sockets have a Lifetime Warranty.
- Light fixtures of brass, copper or stainless steel, aluminum, including finishes are warranted for five (5) years.
- LED Bulbs are warranted for five (5) years or 30,000 hours, whichever comes first.
- Stainless Steel, Painted and Weatherproof (plastic housing) transformers, excluding timers and photo cells, are warranted for five (5) years for the original purchaser.
- Tru-Scapes warranties do not cover plants that die or burn because of continuous light shined on them. This is not a defect, but the inherent nature of such plants. Certain acid loving plants such as arborvitae, pine trees, and others must not be exposed to light of any kind for more than 18 hours a day as these plants need time to sleep and allow photosynthesis to naturally occur.
- Low voltage landscape lighting fixture housings made of brass do naturally patina in color which is not a defect. (Please see www.Tru-Scapes.com for cleaning instructions.)
- See our full Warranty details at www.Tru-Scapes.com/faq.

CERTIFICATIONS



Indicates the product meets safety standards tested by Intertek.



Ensures the product is dust-tight and highly water-resistant.

CONTACT US

© Copyright 2024,
Tru-Scapes® Registered Trademark•
Bucks County, PA • All Rights Reserved•
contacts@tru-scapes.com
1-800-878-1240

WWW.TRU-SCAPES.COM

