

TS-C130-SERIES

DATA SPECIFICATION SHEET



CATEGORY: DECK

COLORS: ●

PRODUCT OVERVIEW

3" Aluminum LED Deck & Fence Post Cap Light - TS-C130 Series

Our professional-grade 3" Aluminum LED Post Cap Light fits standard 3" x 3" aluminum posts and features durable aluminum construction, integrated LEDs, a 2-watt power draw, 2700K color temperature, and compatibility with 9-15V AC/DC systems. Ideal for enhancing outdoor spaces, it's available in black.



Check Out All Our Cap Lights!
Scan to Visit Our Website!

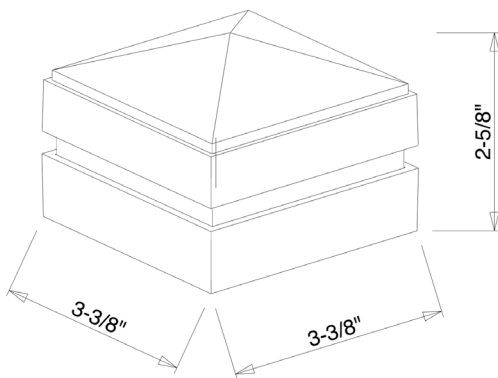
SPECIFICATIONS

- Construction: Aluminum
- Finish: Black
- Light Source: Integrated LEDs
- Beam Angle: 360
- Power Factor: 0.679
- Color Temp (CCT): 2700K
- Watts: 2
- Lumens: 30
- Lead Wire: 32" (Standard) 18AWG, SPT-1W Black Waterproof Wire.
- Voltage Range: 9v - 15v AC/DC
- Powered By: 12V Low Voltage Transformer (Sold Separately)
- IP65 Rated

FEATURES & BENEFITS

- Perfect Fit: Specifically designed to fit 3" x 3" posts, ensuring a snug and secure fit for a clean look.
- Durability: The aluminum construction ensures that the light can withstand the elements, offering minimal maintenance.
- Integrated LED Lighting: Provides efficient, long-lasting illumination with a 2700K warm white color temperature.
- Versatile Application: Complements a variety of outdoor settings, enhancing aesthetics and functionality.
- Low energy consumption - Low Voltage LED Design.
- Easy Installation: Comes with a simple plug-and-play wiring system for hassle-free setup.

PRODUCT DIMENSIONS



WARRANTY

- Tru-Scapes Lighting Sockets have a Lifetime Warranty.
- Light fixtures of brass, copper or stainless steel, aluminum, including finishes are warranted for five (5) years.
- LED Bulbs are warranted for five (5) years or 30,000 hours, whichever comes first.
- Stainless Steel, Painted and Weatherproof (plastic housing) transformers, excluding timers and photo cells, are warranted for five (5) years for the original purchaser.
- Tru-Scapes warranties do not cover plants that die or burn because of continuous light shined on them. This is not a defect, but the inherent nature of such plants. Certain acid loving plants such as arborvitae, pine trees, and others must not be exposed to light of any kind for more than 18 hours a day as these plants need time to sleep and allow photosynthesis to naturally occur.
- Low voltage landscape lighting fixture housings made of brass do naturally patina in color which is not a defect. (Please see www.Tru-Scapes.com for cleaning instructions.)
- See our full Warranty details at www.Tru-Scapes.com/faq.

CERTIFICATIONS



Indicates the product meets safety standards tested by Intertek.



Ensures the product is dust-tight and highly water-resistant.

CONTACT US

© Copyright 2024,
Tru-Scapes® Registered Trademark •
Bucks County, PA • All Rights Reserved •
contacts@tru-scapes.com
1-800-878-1240

WWW.TRU-SCAPES.COM