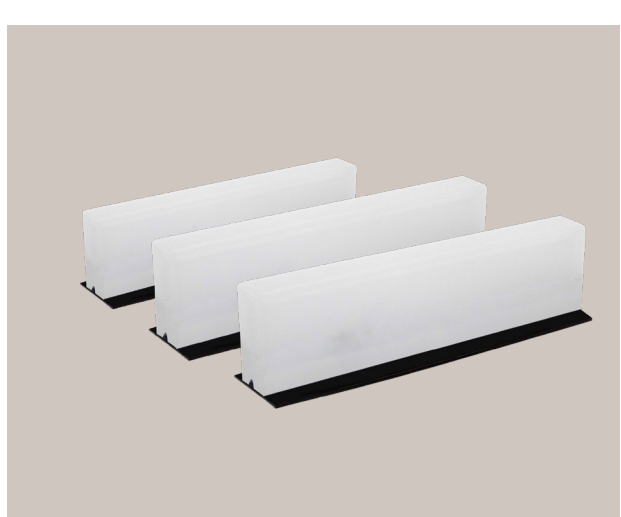


HPLC SERIES

DATA SPECIFICATION SHEET



CATEGORY: HARDSCAPE

COLORS: ● ●

PRODUCT OVERVIEW

Color Changing Paver Light – HPLC Series

The TS-HPLC-6"/8"/9" Low Voltage LED Paver Lights offers a 2700-6500K RGBCW Color Changing capability, featuring an aluminum base and an acrylic case to protect the integrated LEDs. Designed to sit flush with the ground, it highlights patios, walkways, and driveways. Compatible with standard 60mm pavers or thinner, it's ideal for installation in the sailor or soldier course of your paver project.



Check Out All Available Sizes!
Scan to Visit Our Website!

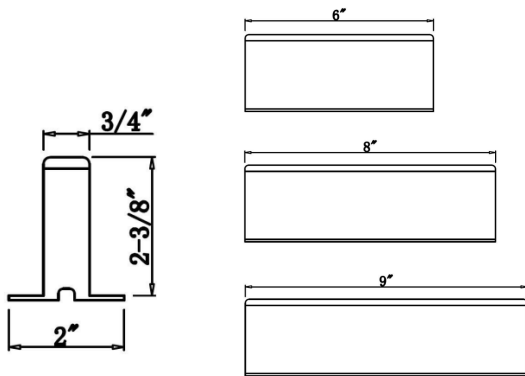
SPECIFICATIONS

- Construction: Powder coated aluminum base with translucent acrylic cover
- Finish: Acrylic case – Protects fixture from wear, corrosion, and weather elements.
- 2700-6500 Kelvin temperature RGBCW
- Lead Wire: 36" (Standard) 18AWG, SPT-1W Black Waterproof Wire
- Light Source: Integrated LED's, 2700-6500K, 6" 1.5W 40LM, 8" 2W 65LM, 9" 2.5W 75LM
- Lumens: 6" = 40L, 8" = 65L, 9" = 75L
- Power Factors: 6" = 0.75, 8" = 0.76, 9" = 0.78
- Recommended Lamp Rating: 1.5/2/2.5W
- Operating Voltage: 9V - 15V AC/DC
- Powered By: Low Voltage Transformer (Sold Separately)
- IP68 Rated

FEATURES & BENEFITS

- Available in 6", 8" and 9" Length to match popular Soldier or Sailor course edge pavers—Beam angle is 120°
- Acrylic case – Protects fixture from wear, corrosion, and weather elements
- Integrated RGBCW LEDs w/ color changing
- 12 diodes (6"), 17 diodes (8"), 21 diodes (9")
- Base feet to prevent lift from freeze/thaw
- 60 mm Height
- Low energy consumption - Low Voltage LED Design.
- Comes with (2) Silicone Filled Wire Connectors - Rated for direct burial and outdoor use.

PRODUCT DIMENSIONS



WARRANTY

- Tru-Scapes Lighting Sockets have a Lifetime Warranty.
- Light fixtures of brass, copper or stainless steel, aluminum, including finishes are warranted for five (5) years.
- LED lamps are warranted for five (5) years or 30,000 hours, whichever comes first.
- Stainless Steel, Painted and Weatherproof (plastic housing) transformers, excluding timers and photo cells, are warranted for five (5) years for the original purchaser.
- Tru-Scapes warranties do not cover plants that die or burn because of continuous light shined on them. This is not a defect, but the inherent nature of such plants. Certain acid loving plants such as arborvitae, pine trees, and others must not be exposed to light of any kind for more than 18 hours a day as these plants need time to sleep and allow photosynthesis to naturally occur.
- Low voltage landscape lighting fixture housings made of brass do naturally patina in color which is not a defect. (Please see www.Tru-Scapes.com for cleaning instructions.)
- See our full Warranty details at www.Tru-Scapes.com/faq.

CERTIFICATIONS



Indicates the product meets safety standards tested by Intertek.



Ensures the product is dust-tight and highly water-resistant.

CONTACT US

© Copyright 2026,
Tru-Scapes® Registered Trademark•
Bucks County, PA • All Rights Reserved•
contacts@tru-scapes.com
1-800-878-1240

WWW.TRU-SCAPES.COM